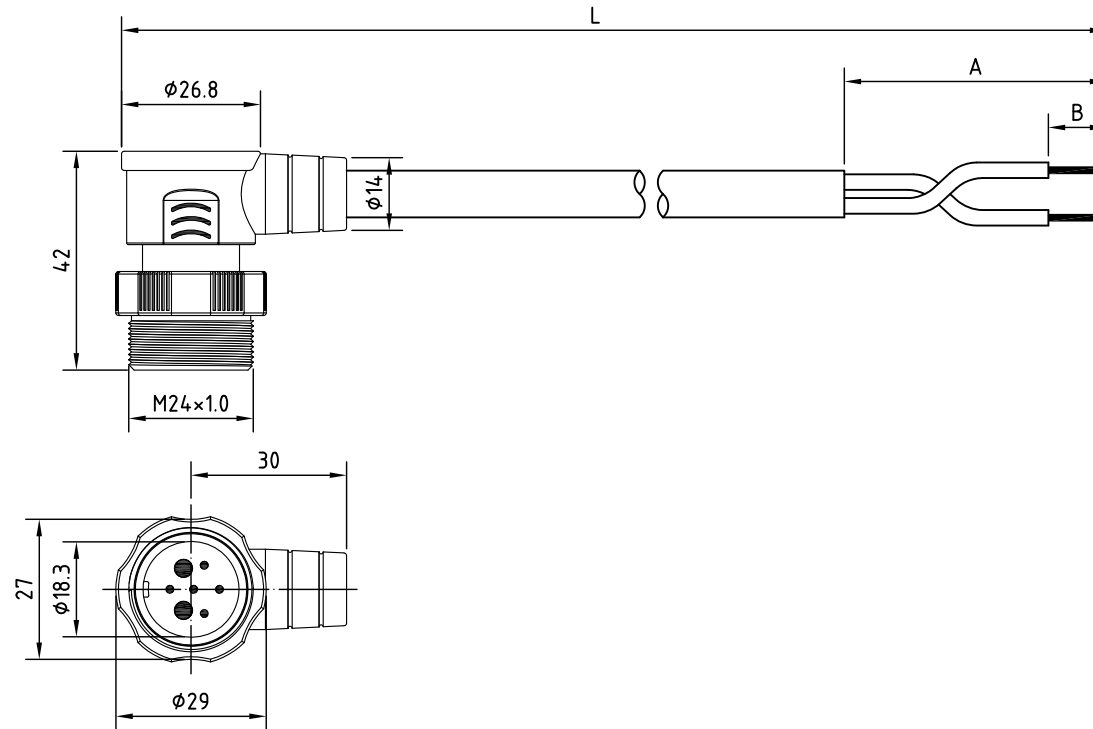


REV.	Description	Date
1	arrangement revise	2012/11/21
2	arrangement , rate voltage revise	2014/6/13
3	contact resistance revise	2016/4/19
4	rated current revise	2018/10/5



Specification of connector

Locking system	: screw M24
Shell protection	: IP67
Rated voltage	: 360V
Rated current	: Large pin 35A Small pin 10A
Contact resistance	: Large pin <5mΩ Small pin <30mΩ

Materials

Pin contact	: brass
Contact plating	: gold
Male insert	: PA
Ring nut	: PA

Specification of cable

Material Jacket	PVC	PUR
-----------------	-----	-----

RoHS

CONTACT ARRANGEMENT FRONT VIEW (MALE)									
	2P	3AP	4P	5AP	5BP	5CP	6AP	6BP	7AP



Unicable Co., Ltd. 國陽電業有限公司

5F., No. 111-33, Sec. 4, San Ho Road., San Chung Dist., New Taipei City, Taiwan, R.O.C.
<http://www.unicable.com.tw> TEL:+886-2-2286-2122 FAX:+886-2-2286-1010

ITEM	High Power M24	DATE	2018/10/5	PART NO.	UT-D258M6-XP
		DWN	GINA	REV.	4
		CHK			
		UNIT	MM		